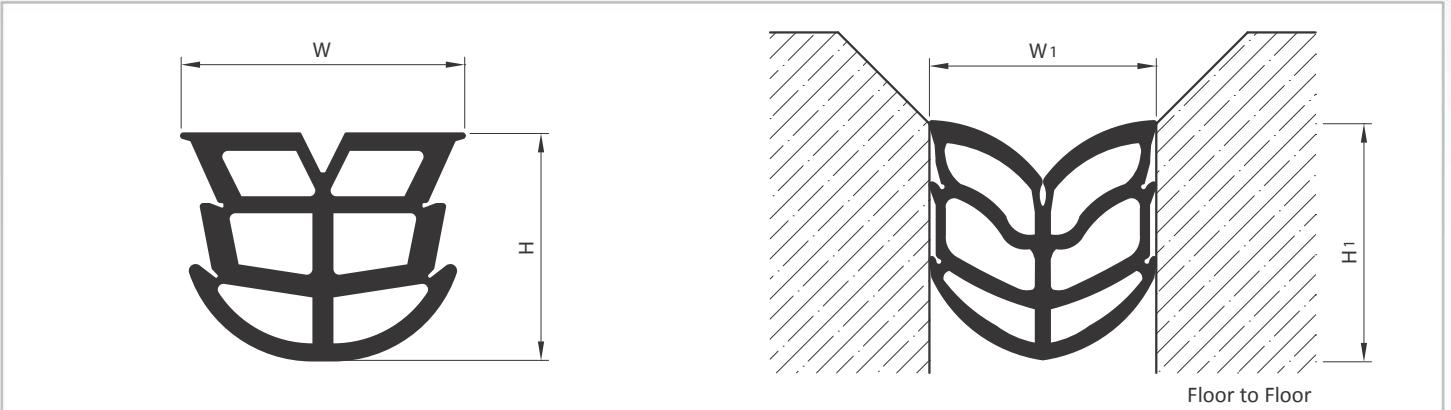
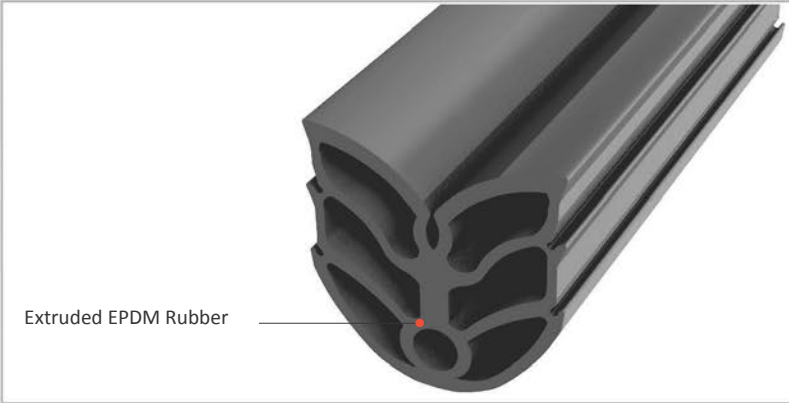




AS U142 is a one-piece, extruded EPDM elastomeric seal and designed for wall & ceiling applications. It can be used between structural gaps to absorb multi-directional movements. Sound insulation, chemical resistance quick installation and operating temperature from -35° to +90° are the main advantages of AS U142. It also functions as a watertight profile if it's adhered to the application area with silicone or similar adhesive.

- Application Areas** : Indoor & Outdoor / Wall & Ceiling
- Ideal for** : Shopping Malls, Residences, Hospitals, Hotels, Commercial & Public Buildings etc.
- Material** : EPDM Rubber
- Optional Supplies** : Fire Barrier

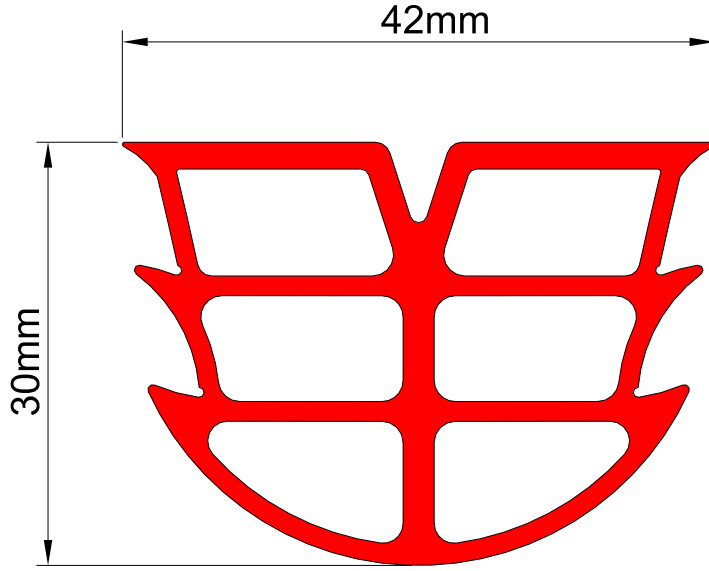


\* Visuals are representative and the profile configuration may differ depending on the characteristics requested.

COLOR **BLACK**

| LOCATION     | MODEL          | PROFILE DIMENSIONS |                |                | MINIMUM DIMENSIONS FOR INSTALLATION(mm) |                          | OPERATING RANGE AFTER INSTALLATION(mm) |     | TOTAL MOVEMENT ABILITY (mm) | MINIMUM ORDER QUANTITY (mt) |
|--------------|----------------|--------------------|----------------|----------------|---|--------------------------|--|-----|-----------------------------|-----------------------------|
|              |                | WIDTH(W) (mm)      | HEIGHT(H) (mm) | Length (L) (m) | WIDTH (W <sub>i</sub> )                 | HEIGHT (H <sub>i</sub> ) | MIN                                    | MAX |                             |                             |
| Wall To Wall | AS U142 16-16  | 16                 | 16             | 50             | 9                                       | 25                       | 7                                      | 11  | 4                           | 2000                        |
|              | AS U142 18-16  | 18                 | 16             | 50             | 10                                      | 25                       | 8                                      | 14  | 6                           | 2000                        |
|              | AS U142 25-20  | 25                 | 20             | 50             | 15                                      | 30                       | 12                                     | 19  | 7                           | 1000                        |
|              | AS U142 34-30  | 34                 | 30             | 25             | 20                                      | 40                       | 16                                     | 25  | 9                           | 1000                        |
|              | AS U142 42-30  | 42                 | 30             | 25             | 25                                      | 45                       | 21                                     | 31  | 10                          | 500                         |
|              | AS U142 63-45  | 63                 | 45             | 25             | 32                                      | 70                       | 27                                     | 45  | 18                          | 400                         |
|              | AS U142 83-60  | 83                 | 60             | 25             | 50                                      | 90                       | 40                                     | 60  | 20                          | 250                         |
|              | AS U142 183-54 | 183                | 54             | 20             | 110                                     | 90                       | 75                                     | 165 | 92                          | 250                         |

Note: Please ask for different size  
 Minimum order quantity will be applied if the inquired quantity is not available in stock



AS U142 42-30

|   |             |
|---|-------------|
| Profile Dimensions<br>Width(W)(mm) / Height(H)(mm) / Length(L)(m) | 42/30/25    |
| Nominal Width (mm)  | 42          |
| Nominal Height (mm)   | 30          |
| Movement Ability (mm) approx.                                     | 10          |
| Narrowest Opening (mm)  | 21          |
| Widest Opening (mm)   | 31          |
| Color   | Black       |
| Material  | EPDM Rubber |